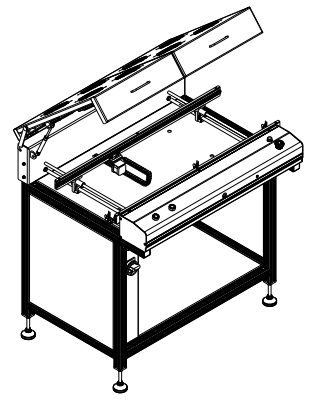
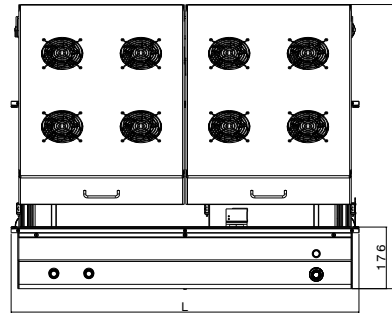
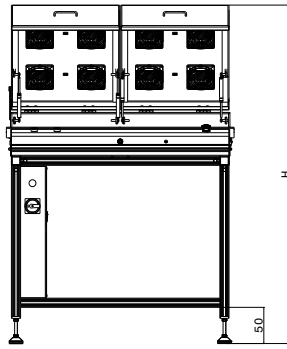
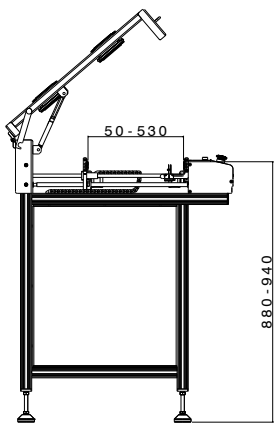


## Single Lane Conveyor Series 1 M Cooling Conveyor QIK-1000CC



### FEATURES:

- ➔ Strong and stable aluminium profile with steel base plate for rigidity.
- ➔ Adjustable width to accommodate wide range of PCB sizes.
- ➔ Adjustable conveyor height for smooth PCB transfers.
- ➔ Customizable conveyor length as per customer needs.
- ➔ Adjustable conveyor speed to match the pace of the production line.
- ➔ SMEMA interface for seamless integration and communication with other equipment.
- ➔ Emergency stop and safety features for operator safety during operation.
- ➔ Accessible maintenance areas for routine cleaning and servicing.



## TECHNICAL PARAMETER:

### Machine configuration:

Transmission height	910 mm ± 30 mm
Conveyor belt	3mm flat belt
Communication interface	SMEMA
Transmission direction	Left to Right or Right to Left
Conveying speed	0.5 to 15 m/min (adjustable)
Fixed guide rail	Front of the machine
Transmission structure	1 - stage
Width adjustment mode	Manual

### Substrate size:

Substrate size (L*W)	Min:50mm/Max:530mm
Base plate thickness	2mm
Base plate element height	±34mm
Base plate weight	<1.5 kg

### Installation requirements:

Power supply	230V 50/60Hz
Power supply system	L + N + PE
Power	0.06KW
Power plug type	International standard

### Machine description:

Length * width * height	1000 * 865 * 920mm
Machine weight	≤105kg
Fixed point to front size (X)	179mm
Noise level	<75 dB

## OPTIONAL ITEMS:

A - Single machine width adjustment    B - Lighting    C - Custom length    D - Cooling fan    E - Others

## PRODUCT DESCRIPTION:

- Monorail conveyor system with a standard total length of 1000 mm.
- PCB (Printed Circuit Board) conveyors are essential equipment within the Surface Mount Technology (SMT) assembly process to transport PCBs between different stages of the assembly line.
- Our conveyor can efficiently and reliably transport PCBs within the assembly line, with the flexibility to adapt to various production requirements and integrate seamlessly with other SMT equipment.



Description and technical specifications delineated herein shall be considered as generic and illustrative. Only those features and descriptions explicitly set forth in the contract shall be legally binding.

### **REXSATRONIX MYS PRIVATE LIMITED**

Corporate Identification Number (CIN): U74999KA2019PTC122287, GSTIN: 29AAJCR4751M1ZP

📍 PLOT NO 22-P-3 & 22-P-4, 3RD PHASE, KOORGALLI, MYSURU, KARNATAKA, INDIA - 570018

✉ info@rexsatronix.com    ☎ +91 827 799 5300    🌐 www.rexsatronix.com